

HO CHIEN PN# CA-C6029-0006

LABEL: VINYL

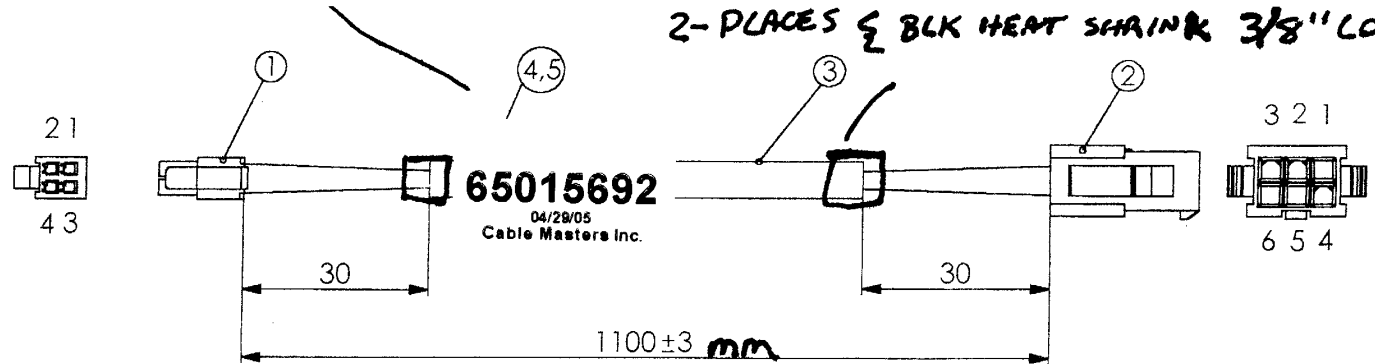
PART NO: 65015692

DATE CODE: DATE OF MFG.

CABLE MASTERS INC.

MUST BE THERMAL TRANSFER TYPE
DOT MATRIX NOT ALLOWED

2- PLACES $\frac{1}{2}$ BLK HEAT SHRINK $\frac{3}{8}$ " LONG



65015692
04/29/05
Cable Masters Inc.

Micro-Fit		Wire-Color	Mini-Fit	
CL_TOP	PIN1	white	PIN1	CL_TOP
12VP	PIN2	green	PIN3	12VP
CL_MID	PIN3	brown (or black)	PIN2	CL_MID
CL_BOT	PIN4	yellow (or red)	PIN4	CL_BOT

Item	Quant	Part Name	Description / UL No.	Part Number
1	1	Micro Fit Receptacle 4 pos.	UL 94V-0	Molex 43025-0400
	4	Crimpterminal	AWG 20-24	Molex 43030-0007
2	1	Mini-Fit Plug 6 pos.	UL 94V-2	Molex 5559 / 39-01-2061
	4	Crimpterminal	AWG 22-28	Molex 5558 / 39-00-0048
3	1	Plastic sheathed Cable 4 Wire	AWG 24 (7/32) UL - Colour: brown, green, white, yellow (or AWG 24 (7/32) UL - Colour: black, green, white, red)	

WIRES MUST MEET MANUFACTURED
SPECS FOR MINIMUM PULL TEST

65015692		WEIGHT (kg)	A4
PART NAME		SCALE	INDEX
Cable Harness Filterbd.Si. - Top Light			
DRAWING NO.			