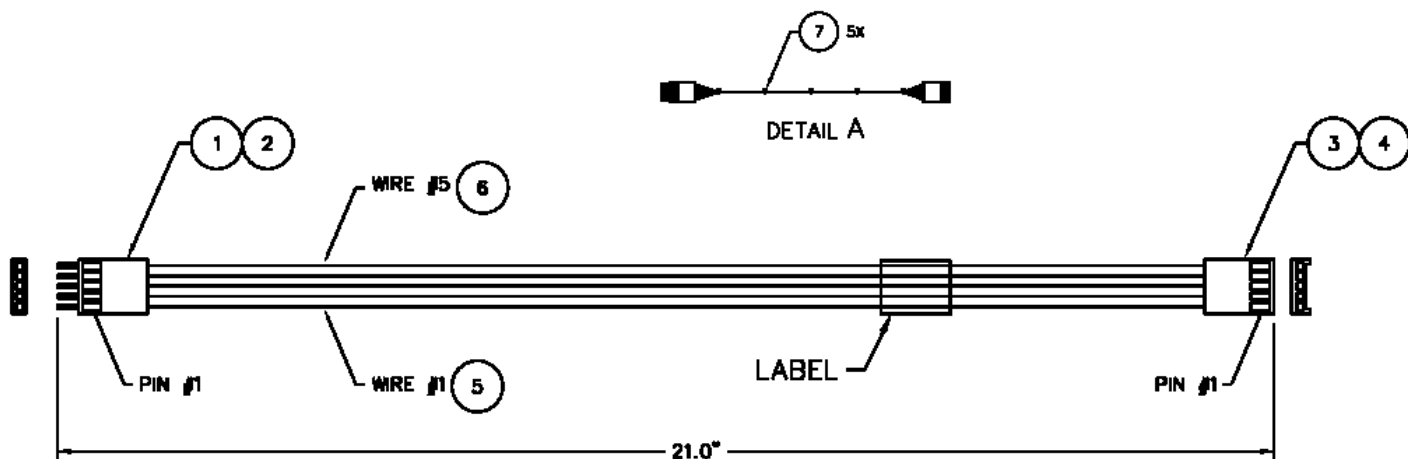


NOTES:


1. BUNDLE WIRES WITH WIRE TIE, AS SHOWN IN DETAIL A.
2. ALL WIRE TERMINAL CONNECTIONS TO BE CRIMPED
3. LABEL TO CONTAIN: PART NUMBER
REVISION LEVEL, AND DATE CODE
OF MANUFACTURE.

CHART: WIRE SPECIFICATIONS					
WIRE NO.	LENGTH (IN.)	COLOR	AWG	INSUL	QTY REQD
1	20.0	RED	26	UL1007	1
2-5	20.0	YEL	26	UL1007	4



DIGIKEY P/N WM2200-ND
 DIGIKEY P/N WM2003-ND
 AVNET P/N 102107-2
 MOUSER P/N 874999-9
 ALT CONSTRUCTION

7	5	WIRE TIE, NYLON	
6	4	WIRE, SEE CHART	
5	1	WIRE, SEE CHART	
4	5	TERM, CRIMP, P/N 08-50-0114	MOLEX
3	1	HSNG, 5 COND, SNGL ROW P/N 22-01-3057	MOLEX
2	5	TERM, CRIMP, GOLD, P/N 102107-2	AMP
1	1	HSNG, 5 COND, SNGL ROW, P/N 571-874999	AMP
ITEM	QTY	DESCRIPTION	REFERENCE

BILL OF MATERIALS			
UNLESS OTHERWISE SPECIFIED DIMENSIONS ARE IN INCHES DECIMALS IN INCHES FRACTIONS IN INCHES .25 INCHES .0005 INCHES DO NOT SCALE DRAWING THIRD ANGLE PROJECTION 	APPROVALS DRAWN J. B. ENGLETON CHECKED GAB APPROVED	DATE 11-30-99 11-30-99	HO CHIEN TITLE CABLE, ASSY, TOUCH PAD DATA, SERIAL, 42-7037 SIZE B DWG NO. CA-C4037A-0027 REV. A SCALE NTS ACAD FILE 427037A1 SHEET 1 of 1
	ECO 897 HEIGHT FINISH		