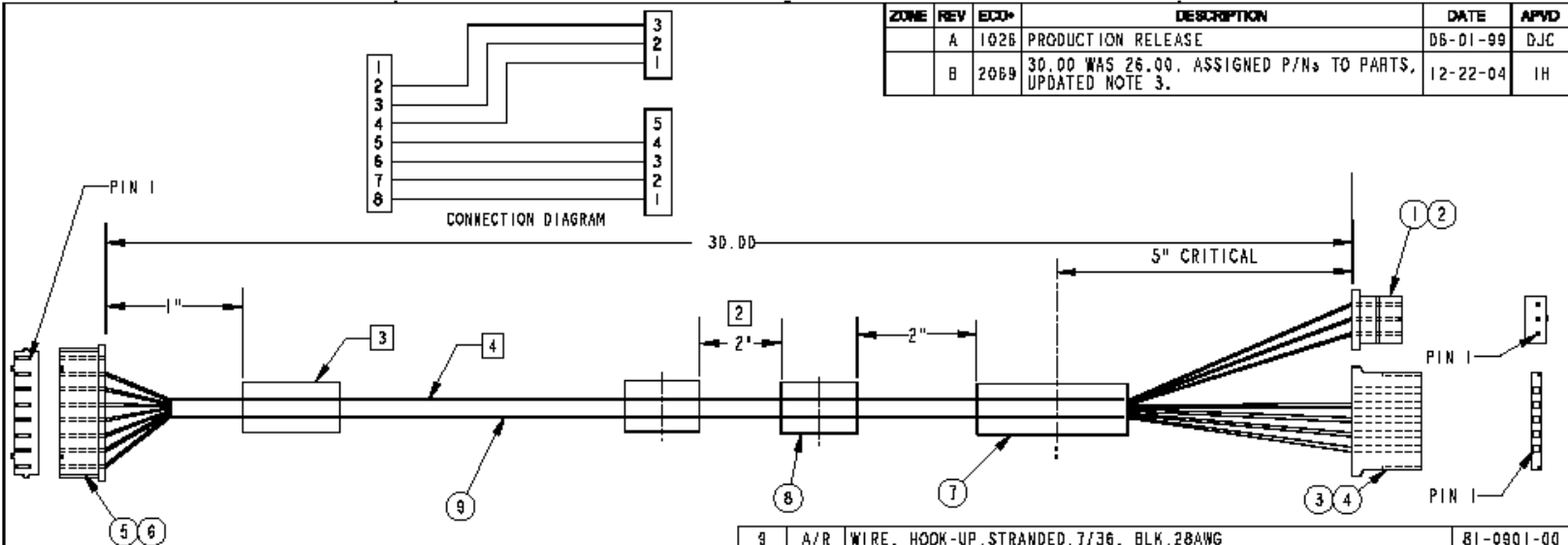


ZONE	REV	EDD	DESCRIPTION	DATE	APVD
	A	1026	PRODUCTION RELEASE	06-01-99	DJC
	B	2069	30.00 WAS 26.00. ASSIGNED P/Ns TO PARTS, UPDATED NOTE 3.	12-22-04	IH



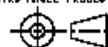
9	A/R	WIRE, HOOK-UP, STRANDED, 7/36, BLK, 28AWG	81-0901-00
8	A/R	TUBING, HEAT SHRINKABLE, $\phi$ 1/4", 1" LG	SUPPLIER
7	1	TUBING, HEAT SHRINKABLE, $\phi$ 1/4", 3" LG	SUPPLIER
6	7	CONN, CRIMP-TERM, FEM, 26-28AWG, TIN	80-0499-00
5	1	CONN, HSG, CRIMP, SING-ROW, 8POS, C-E	80-0500-00
4	4	CONN, CRIMP-TERM, FEM, 28-32AWG	80-0524-00
3	1	CONN, HSG, CRIMP, SING-ROW, 5POS, C-E	80-0523-00
2	3	CONN, CRIMP-TERM, FEM, 28-32AWG	80-0525-00
1	1	CONN, HSG, CRIMP, FEM, 1.25mmP, 3POS, C-E	80-0526-00

ITEM	QTY	DESCRIPTION	REFERENCE
------	-----	-------------	-----------

#### BILL OF MATERIALS

UNLESS OTHERWISE SPECIFIED  
DIMENSIONS ARE IN INCHES.  
TOLERANCES ARE:  
DECIMALS .05 .1  
ANGLES .5° .5°  
X.XX 4.02  
XXX 0.010  
DO NOT SCALE DRAWING

THIRD ANGLE PROJECTION



APPROVAL	DATE
DESIGN JBE	06-01-99
CHECKED DJC	06-01-99
APPROVED	
EGG	1026
DATE	06-01-99
METRIC	
FINISH	

<h1>HO CHIEN</h1>		<b>CABLE ASSY, REACH CONTROLLER TO NEC INVERTER</b>	
		<b>42-7043</b>	
SIZE B	REV. B	CA-CA037A-0022	
SCALE		AS FILED	42-7043

## NOTES

UNLESS OTHERWISE SPECIFIED:

- ALL TERMINAL CONNECTIONS TO BE CRIMPED.
- REPEAT 2" SPACING OF ITEM 8, AS REQUIRED, UNTIL LABEL IS REACHED.
- LABEL TO CONTAIN PART NUMBER, REVISION, DATECODE AND VENDOR ID.
- NO OTHER INSULATION BESIDES HEAT SHRINKABLE TUBING, AS SHOWN.

# NOTES FOR DRAWING 42-7043

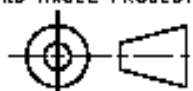
## NOTES

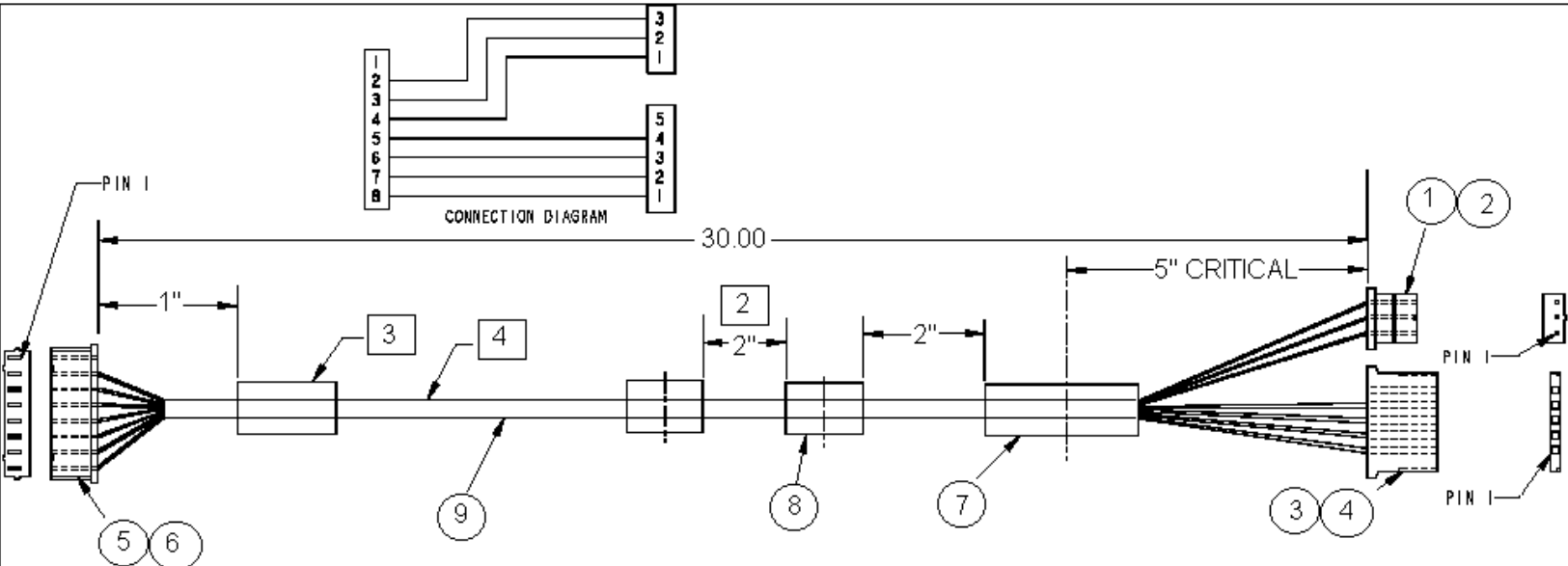
UNLESS OTHERWISE SPECIFIED:

1. ALL TERMINAL CONNECTIONS TO BE CRIMPED.
2. REPEAT 2" SPACING OF ITEM 8, AS REQUIRED, UNTIL LABEL IS REACHED.
3. LABEL TO CONTAIN PART NUMBER, REVISION, DATECODE AND VENDOR ID.
4. NO OTHER INSULATION BESIDES HEAT SHRINKABLE TUBING, AS SHOWN.

9	A/R	WIRE, HOOK-UP, STRANDED, 7/36, BLK, 28AWG	ALPHA 30482	
8	A/R	TUBING, HEAT SHRINKABLE, $\varnothing$ 1/4", 1" LG		SUPPLIER
7	1	TUBING, HEAT SHRINKABLE, $\varnothing$ 1/4", 3" LG		SUPPLIER
6	7	CONN, CRIMP-TERM, FEM, 26-28AWG, TIN	MOLEX 50079-8100	
5	1	CONN, HSNQ, CRIMP, SING-ROW, 8POS, C-E	MOLEX 51021-0800	
4	4	CONN, CRIMP-TERM, FEM, 28-32AWG	JAE IL-SC-C3-A1-1500	
3	1	CONN, HSNQ, CRIMP, SING-ROW, 5POS, C-E	JAE LZ-5S-SC3	
2	3	CONN, CRIMP-TERM, FEM, 28-32AWG	JAE IL-Z-C3-A-15000	
1	1	CONN, HSNQ, CRIMP, FEM, 1.25mmP, 3POS, C-E	JAE IL-Z-3S-125 C3	
ITEM	QTY	DESCRIPTION		REFERENCE

### BILL OF MATERIALS

UNLESS OTHERWISE SPECIFIED DIMENSIONS ARE IN INCHES. TOLERANCES ARE: DECIMALS      ANGLE .X± 0.1          .X°± .5° .XX± 0.02 .XXX± 0.010 DO NOT SCALE DRAWING	<b>APPROVALS</b>		<b>DATE</b>	<b>HO CHIEN</b>  <b>CABLE ASSY, REACH CONTROLLER            TO NEC INVERTER 42-7043</b>	
	DRAWN	JBE	06-01-99		
	CHECKED	DJC	06-01-99		
	APPROVED				
THIRD ANGLE PROJECTION	ECO	1026	06-01-99	SIZE	B
	WEIGHT			DWG NO.	CA-C4037A-0022
	FINISH			SCALE	
				REV.	B
				CAD FILE	42-7043
				SHEET	1 of 1



Enlarged drawing extract  
42-7043 Rev B