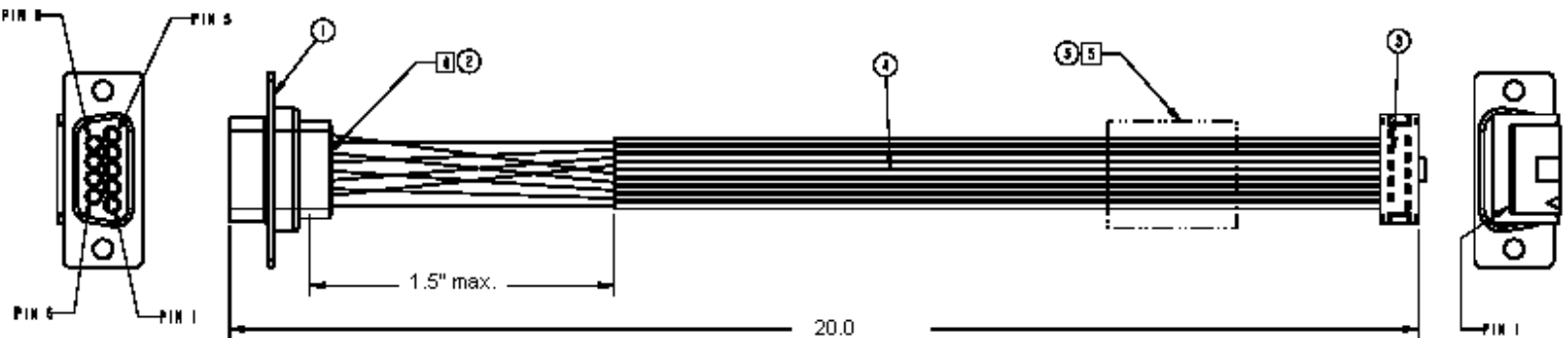


**NOTES:**

(UNLESS OTHERWISE SPECIFIED)

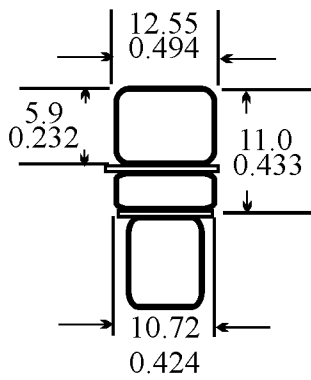
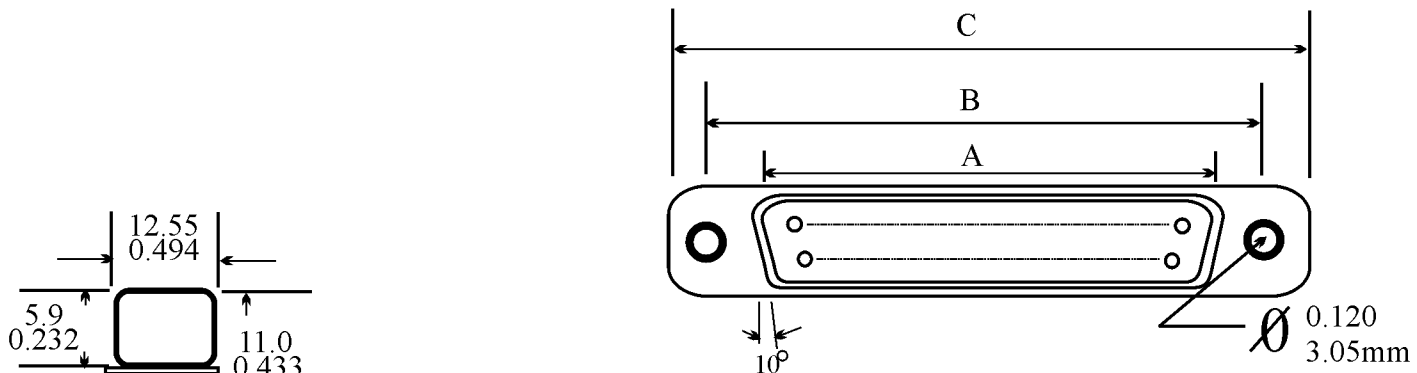
1. WIRING AND TUBING USED IN THE CABLE ASSEMBLY MUST BE UL RECOGNIZED.
2. CONNECTORS AND ALL OTHER COMPONENTS MUST BE UL RECOGNIZED OR MADE OF A UL RECOGNIZED MATERIAL WITH A MINIMUM FLAME RATING OF #4Y-2.
3. TRACEABILITY OF THE ABOVE MUST BE MAINTAINED BY THE VENDOR AND BE MADE AVAILABLE UPON REQUEST.
4. WIRE CONNECTION IS STRAIGHT ACROSS, PIN 1 TO PIN 1. THIS WILL REQUIRE SEPARATING THE RIBBON CABLE AND CRIMPING TO D09 PINS.
5. LABEL WITH PART NUMBER, REVISION AND DATE OF MANUFACTURE IN APPROXIMATE LOCATION SHOWN.



PIN D09	PIN 10PIN
1	1
2	2
3	3
4	4
5	5
6	6
7	7
8	8
9	9
--	10

QTY	UNIT	DESCRIPTION	REFERENCE
5	1	LABEL	
4	20	FLAT RIBBON CABLE, 3 COND, GRAY PVC, 20 IN	SUPPLIER
3	1	CONN, RIBBON CABLE, 10 COND, P/M 39-51-2100	MOLEY
2	9	PIN, CRIMP, D-SUB, FEMALE, P/M 3211-FS-1L	PHYCD
1	1	CONN, D-SUB, CRIMP, FEMALE, 9 PIN, P/M 3210-09-F	PHYCD

BILL OF MATERIALS		HO CHIEN	
P/N: 1388 REV: 001 DATE: 08-14-91 BY: EAF CHECK: MED APPROVED: [Signature] PART: 1388 DATE: 08-14-91	APPROVAL: [Signature] DATE: 08-12-91 CHECK: MED DATE: 08-14-91 APPROVED: [Signature] PART: 1388 DATE: 08-14-91	CABLE ASSY, DIAG, PORT-PWR/COMM CA-C4037A-0017	2:1 42-1191



Shell Size	A(male)	A(female)	B	C	D
9	0.666" 16.92	0.643" 16.33	0.984" 24.99	1.213" 30.81	0.433" 11.00
15	0.994 25.25	0.971" 24.66	1.312" 33.32	1.541" 39.14	0.433" 11.00
25	1.534" 38.96	1.511" 38.38	1.852" 47.04	2.088" 53.04	0.433" 11.00
37	2.182" 55.42	2.159" 54.84	2.500" 63.50	2.729" 69.32	0.433" 11.00
50	2.079" 52.81	2.064" 52.43	2.406" 61.12	2.635" 66.93	0.433" 11.00

**Notes:**

Material:  
 Insulator - PBT + 30% Glass Fiber (UL94V-0)  
 Contact - Male=Brass, Female=Phosphor Bronze  
 Contact Plating - Gold Flash over Nickel  
 Shell - Tin Plated Steel

Specification:  
 Current Rate - 5 Amp  
 Insul Resist - 1k Mohms  
 Contact Resist - 20Mohm Max.  
 Voltage - 500V AC for 1 minute  
 Op Temp - -40°C to +105°C

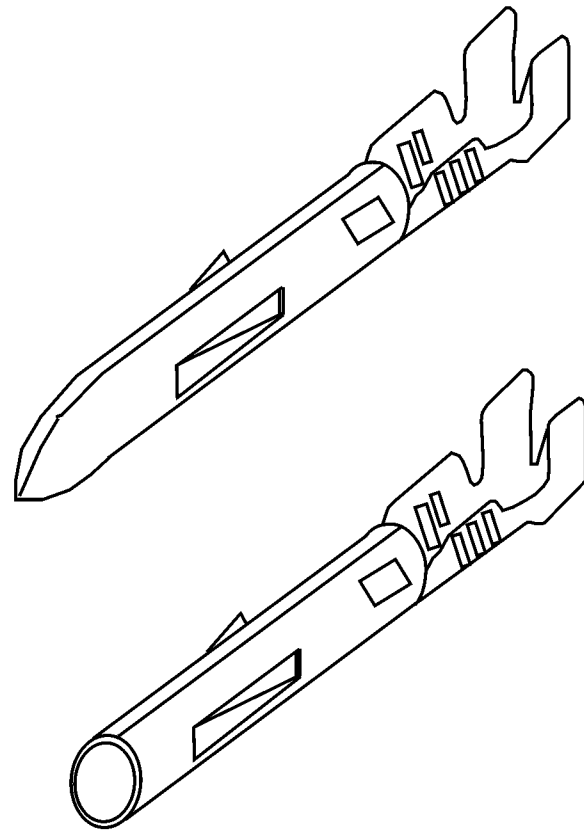
Do not Scale Drawings

<b>Description:</b>		<b>D-Sub, Crimp</b>	
Approvals	Date	<b>Phyco</b> <b>1740-A Junction Ave.</b> <b>San Jose, CA 95112</b>  <b>Drawing# 3210-XX-X</b>  (XX=Contact# i.e.15,26,44,62)      (X=gender M/F)	
Drawn MAC	3/10 1999		
Checked			
Issued			

**Material:** Male- Brass(C2680)  
 Female- Phosphor Bronze (JIS5191)  
**Thickness:** 0.20  
**Plating:** 3u" Gold Flash over 50u" Nickel  
**Insulation:** OD, 3.7 Max  
**Wire Range:** (AWG)18-24  
**Rated Voltage:** AC, DC, 250V  
**Current Rated:** AC, DC, A  
**Temp Range:** -25c to +85c

**DIMENSIONS:**

**T :** 0.25mm  
**L :** 21.0mm  
**IS:** 3.7mm  
**WS:** 3.0mm  
**H :** 3.3mm  
**H1:** 2.8mm  
**E :** 13.6mm  
**W :** 3.9mm  
**D :** 2.0mm  
**D1:** 2.6mm



<b>Description:</b>		D-Sub Crimp Pin	
Approvals	Date	<b>Phyco</b> <b>1740-A Junction Ave.</b> <b>San Jose, CA 95112</b>	
Drawn MAC	3/10 1999		
Checked			
Issued			
		<b>Drawing#</b>	<b>3211-(X)S1L</b>
			(X=gender (M)ale, (F)emale)

Do not Scale Drawings