

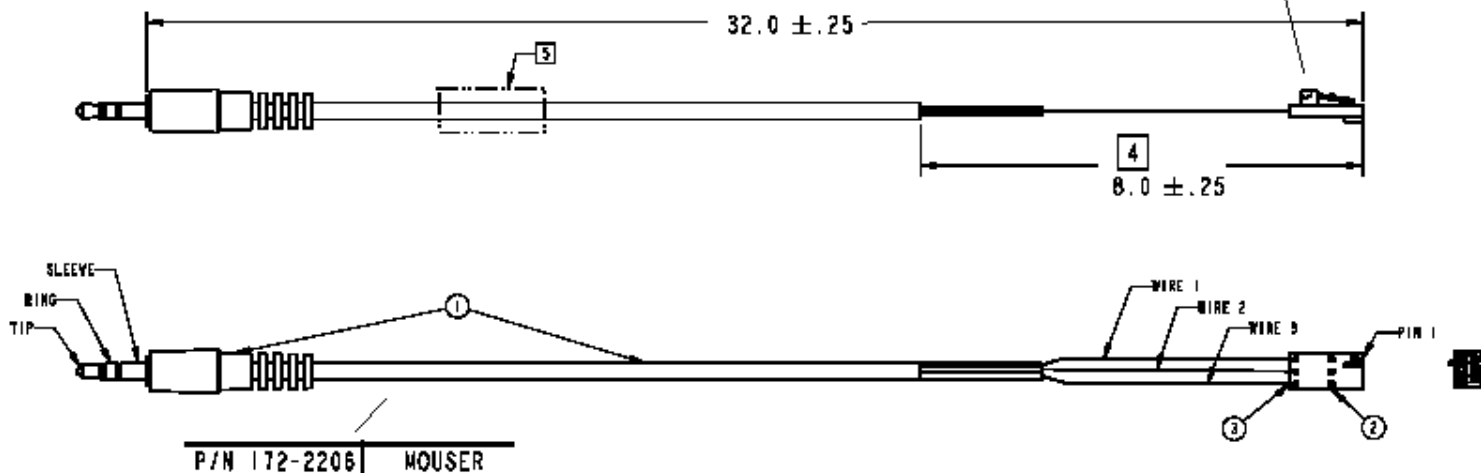
NOTES:

(UNLESS OTHERWISE SPECIFIED)

1. WIRING AND TUBING USED IN THE CABLE ASSEMBLY MUST BE UL RECOGNIZED.
2. CONNECTORS AND ALL OTHER COMPONENTS MUST BE UL RECOGNIZED OR MADE OF A UL RECOGNIZED MATERIAL WITH A MINIMUM FLAME RATING OF 94V-2.
3. TRACEABILITY OF THE ABOVE MUST BE MAINTAINED BY THE VENDOR AND BE MADE AVAILABLE UPON REQUEST.
4. TRIM CABLE INSULATION BACK TO EXPOSE 8 INCHES OF WIRE LEADS. INSULATE THE BARE SHIELD WIRE WITH SHRINK WRAP TUBING.
5. LABEL WITH PART NUMBER, REVISION AND DATE OF MANUFACTURE IN APPROXIMATE LOCATION SHOWN.

ZONE	REV	MO	DESCRIPTION	DATE	APPRO
A	1390		PRODUCTION RELEASE (WAS 89-1480)	08-14-91	EAF
B	1497		ITEM 2 P/N WAS 50-57-9402	02-26-92	EAF

P/N 16-02-1114	MOLEX
P/N 50-57-9403	MOLEX



P/N 172-2206 MOUSER

CHART: WIRE SPECIFICATION

WIRE NO.	LENGTH (IN)	COLOR	AWG	PIN OUT	ITEM NO.
1	32"	RED	26	RING TO PIN 1	1
2	32"	WHITE	26	PLUG TIP TO PIN 2	1
3	32"	SHIELD	26	SLEEVE TO PIN 3	1

5	1	LABEL		
4	AR	TUBING, SHRINK WRAP		
3	3	TERMINAL, CRIMP, FEMALE, HIGH FORCE, .100", SL, P/N 16-02-1114	MOLEX	
2	1	HOUSING, CRIMP, SHLD BRW, POS LATCH, 3CDMD, .100", SL, P/N 50-57-9403	MOLEX	
1	1	STEREO CABLE WITH JACK (MALE), DGB CORD SET, 12", P/N 172-2206	MOUSER	
ITEM	QTY	DESCRIPTION	REFERENCE	

BILL OF MATERIALS

APPROVALS	DATE	HO CHIEN CABLE ASSY 42-1189 CA-C4037A-0016
DESIGNED BY: EAF	08-12-91	
CHECKED BY: MFD	08-14-91	
APPROVED BY: [Signature]		
TRIM LABEL PRODUCTION	08-14-91	