

**NOTES:**  
(UNLESS OTHERWISE SPECIFIED)

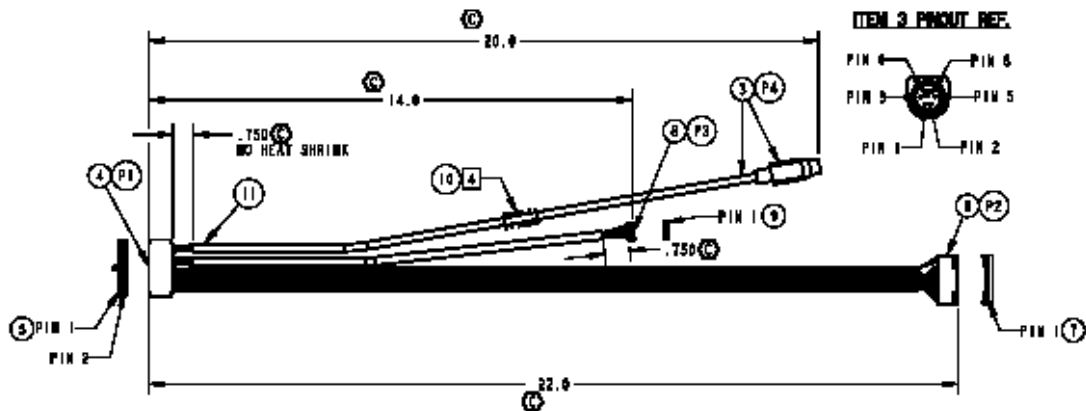
1. WIRING AND TUBING USED IN THE CABLE ASSEMBLY MUST BE UL RECOGNIZED.
2. CONNECTORS AND ALL OTHER COMPONENTS MUST BE UL RECOGNIZED OR MADE OF A UL RECOGNIZED MATERIAL WITH A MINIMUM FLAME RATING OF 84Y-2.
3. TRACEABILITY OF THE ABOVE MUST BE MAINTAINED BY THE VENDOR AND BE MADE AVAILABLE UPON REQUEST.

**A** LABEL WITH PART NUMBER, REVISION, AND DATE OF MANUFACTURE IN APPROXIMATE LOCATION SHOWN.

**B** STRIP OFF 2 CONDUCTORS FROM ITEM 1.

**C** TRIM EXTRA LEADS BACK TO INSULATION.

REV	REV	ECO	DESCRIPTION	DATE	APP'D
A	1414		PRODUCTION RELEASE (WAS 88-1384)	08-28-01	EAF
B	1433		MODIFY ITEM 1, ADD NOTE 5	10-18-01	EAF
C	1472		INCREASE LENGTHS, ADD STRIP LENGTH CHANGE RED WIRE CALLOUT, CHANGE ITEM 2 CALLOUT AND COLOR CODE, ADD NOTE 8	01-18-02	EAF



CONNECTION CHART

FROM	DESCRIPTION	ID	ITEM NO.	SIGNAL
P1-1	RED	P2-6	1	SL 0
P1-2	GREY	P2-7	1	SL 1
P1-3	GREY	P2-8	1	SL 2
P1-4	GREY	P2-9	1	SL 4
P1-5	GREY	P2-10	1	SL 6
P1-6	GREY	P2-1	1	DL 4
P1-7	GREY	P2-2	1	DL 5
P1-8	GREY	P2-3	1	DL 6
P1-9	GREY	P2-4	1	DL 7
P1-10	GREY	P2-5	1	DL 8
P1-11	GREY	P2-11	1	END
P1-12	GREY	P2-12	1	DL 0
P1-13	BLACK	P3-1	2	BRIGHT UP
P1-14	GREEN	P3-5	2	SL BRIGHT UP
P1-15	RED	P3-3	2	BRIGHT DOWN
P1-16	YELLOW	P3-7	2	SL BRIGHT DOWN
NC	ORANGE	NC	2	--
NC	GREEN	NC	2	--
NC	SHIELD	NC	2	--
P1-21	ORANGE	P4-5	3	VDD +5
P1-22	BLACK	P4-1	3	PS2 DATA
P1-23	YELLOW	P4-6	3	PS2 CLK
P1-24	RED	P4-3	3	END
NC	BROWN	P4-2	3	--
NC	SHIELD	P4-SHIELD	3	--
NC	GREEN	P4-0	3	--

11	AR	SHRINK TUBE, BLACK	SUPPLIER
10	I	LABEL	SUPPLIER
9	4	TERMINAL CRIMP, FEMALE, .048", P/N 50078-8100	MOLEX
8	I	RECEPTACLE, .048", 6 COND, P/N 51021-0000	MOLEX
7	12	TERMINAL CRIMP, .100", RH, P/N 60-80-0114	MOLEX
6	I	HOUSING, CRIMP, .100", KH, 12 COND., P/N 22-01-3127	MOLEX
5	20	TERMINAL CRIMP, FEMALE, .100", SL, P/N 16-02-0103	MOLEX
4	I	HOUSING, CRIMP, DUAL ROW, .100", SL, 24 COND, P/N 22-55-3241	MOLEX
3	AR	CABLE ASST, 6 POS, MINI-DIN, MALE (PS2 MOUSE), P/N W6541-6060M	GCA
2	AR	CABLE, 6 COND, 28 AWG, SHIELDED, P/N W6541	GCA
1	AR	CABLE, FLAT RIBBON, 14 COND., PVC, GREY, P/N 3345/14	3M

ITEM	QTY	DESCRIPTION	REFERENCE
<b>BILL OF MATERIALS</b>			
PREPARED BY: HO CHIEN CHECKED BY: EAF DATE: 09-08-01 DRAWN BY: MED DATE: 09-10-01 SCALE: 1:1 SHEET: 1 OF 1		<b>HO CHIEN</b> CABLE ASST, PLUMBING TO CHERRY, CT PC BOX <b>CA-C4037A-0015</b> 42-1187	
APPROVALS: EAF 09-08-01 MED 09-10-01 DATE: 1414 09-28-01		PART: 1:2 REV: 42-1187	

# NOTES:

(UNLESS OTHERWISE SPECIFIED)

1. WIRING AND TUBING USED IN THE CABLE ASSEMBLY MUST BE UL RECOGNIZED.
2. CONNECTORS AND ALL OTHER COMPONENTS MUST BE UL RECOGNIZED OR MADE OF A UL RECOGNIZED MATERIAL WITH A MINIMUM FLAME RATING OF 94V-2.
3. TRACEABILITY OF THE ABOVE MUST BE MAINTAINED BY THE VENDOR AND BE MADE AVAILABLE UPON REQUEST.

4 LABEL WITH PART NUMBER, REVISION, AND DATE OF MANUFACTURE IN APPROXIMATE LOCATION SHOWN.

5 STRIP OFF 2 CONDUCTORS FROM ITEM 1.

6 TRIM EXTRA LEADS BACK TO INSULATION.

NOTES FOR  
DRAWING  
42-1187  
PAGE 1

CONNECTION CHART

FROM	DESCRIPTION	TO	ITEM NO.	SIGNAL
PI-1	RED	P2-6	1	SL 0
PI-2	GREY	P2-7	1	SL 1
PI-3	GREY	P2-8	1	SL 2
PI-4	GREY	P2-9	1	SL 4
PI-5	GREY	P2-10	1	SL 6
PI-6	GREY	P2-1	1	DL 4
PI-7	GREY	P2-2	1	DL 5
PI-8	GREY	P2-3	1	DL 6
PI-9	GREY	P2-4	1	DL 7
PI-10	GREY	P2-5	1	DL 8
PI-11	GREY	P2-11	1	GND
PI-12	GREY	P2-12	1	DL 9
PI-13	BLACK	P3-1	2	BRIGHT UP
PI-14	GREEN	P3-5	2	SL BRIGHT UP
PI-15	RED	P3-3	2	BRIGHT DOWN
PI-16	YELLOW	P3-7	2	SL BRIGHT DOWN
NC	ORANGE	NC	2	--
NC	GREEN	NC	2	--
NC	SHIELD	NC	2	--
PI-21	ORANGE	P4-5	3	VDD +5
PI-22	BLACK	P4-1	3	PS2 DATA
PI-23	YELLOW	P4-6	3	PS2 CLK
PI-24	RED	P4-3	3	GND
NC	BROWN	P4-2	3	--
NC	SHIELD	P4-SHIELD	3	--
NC	GREEN	P4-8	3	--

# NOTES FOR DRAWING 42-1187

## PAGE 2

11	AR	SHRINK TUBE, BLACK	SUPPLIER
10	1	LABEL	SUPPLIER
9	4	TERMINAL CRIMP, FEMALE, .049", P/N 50079-8100	MOLEX
8	1	RECEPTACLE, .049", 8 COND. P/N 51021-0800	MOLEX
7	12	TERMINAL CRIMP, .100", KK, P/N 08-50-0114	MOLEX
6	1	HOUSING, CRIMP, .100", KK, 12 COND., P/N 22-01-3127	MOLEX
5	20	TERMINAL CRIMP, FEMALE, .100", SL, P/N 15-02-0103	MOLEX
4	1	HOUSING, CRIMP, DUAL ROW, .100", SL, 24 COND, P/N 22-55-3241	MOLEX
6	3	AR CABLE ASSY, 6 POS. MINI-DIN, MALE (PS2 MOUSE), P/N M8541-606MM	GCA
6	2	AR CABLE, 6 COND, 28 AWG, SHEILDED, P/N M8541	GCA
5	1	AR CABLE, FLAT RIBBON, 14 COND., PVC, GREY, P/N 3365/14	3M
ITEM	QTY	DESCRIPTION	REFERENCE

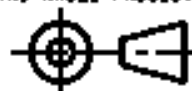
### BILL OF MATERIALS

UNLESS OTHERWISE SPECIFIED  
DIMENSIONS ARE IN INCHES.  
TOLERANCES ARE:

DECIMALS	ANGLES
.XX ± 0.1	.X° ± 0.5°
.XXX ± 0.02	
.XXXX ± 0.010	

DO NOT SCALE DRAWING

THIRD ANGLE PROJECTION

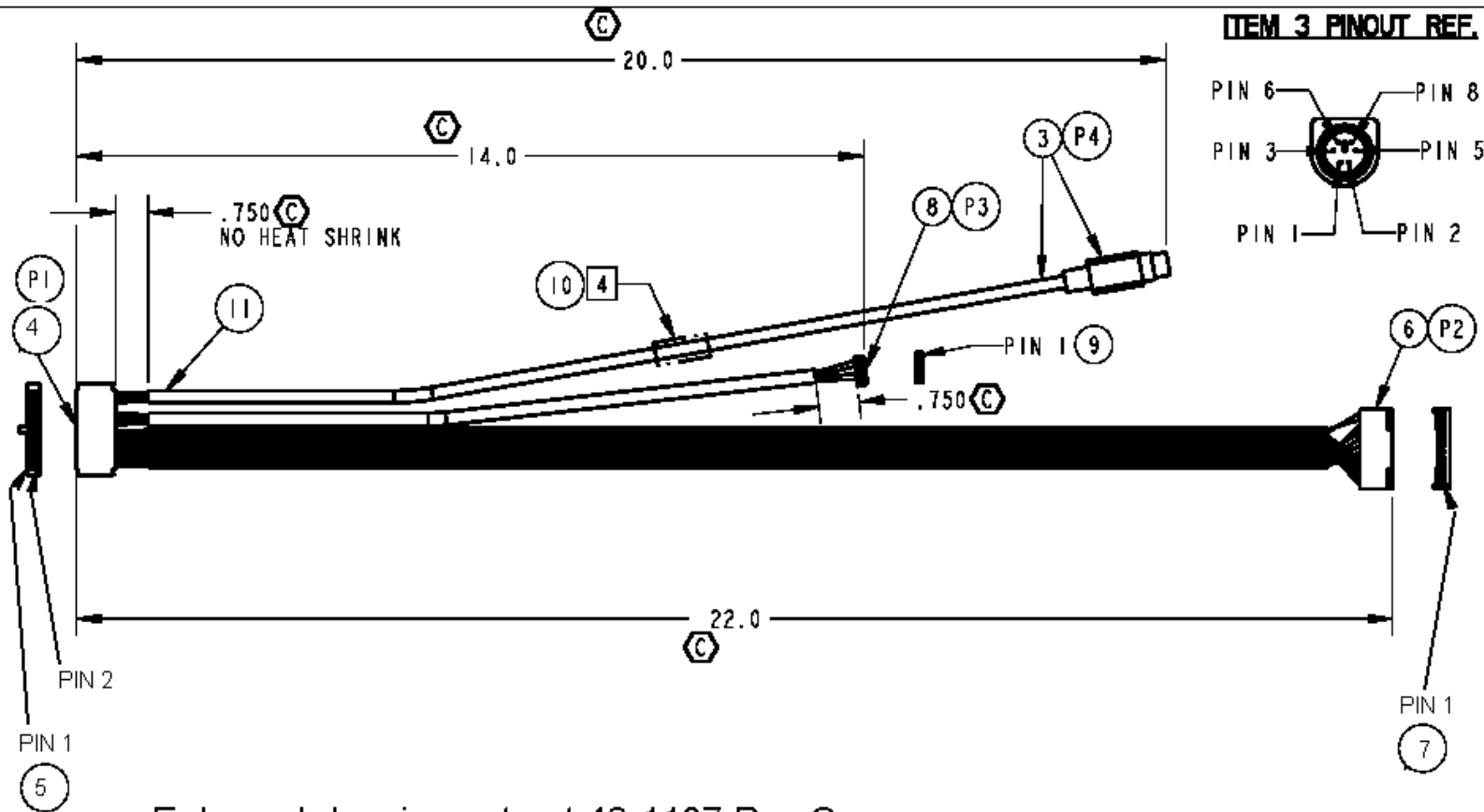


APPROVALS		DATE
DESIGN	EAF	09-09-01
CHECKED	MKD	09-10-01
APPROVED		
ECO	1414	09-28-01
WEIGHT		
FINISH		

# HO CHIEN

CABLE ASSY, NUMERIC TO OWERTY,  
CT PC BOX

SIZE	C	DWG NO.	42-1187	REV.	C
SCALE	1:2	DWG TITLE	42-1187	SHEET	1 of 1



Enlarged drawing extract 42-1187 Rev C