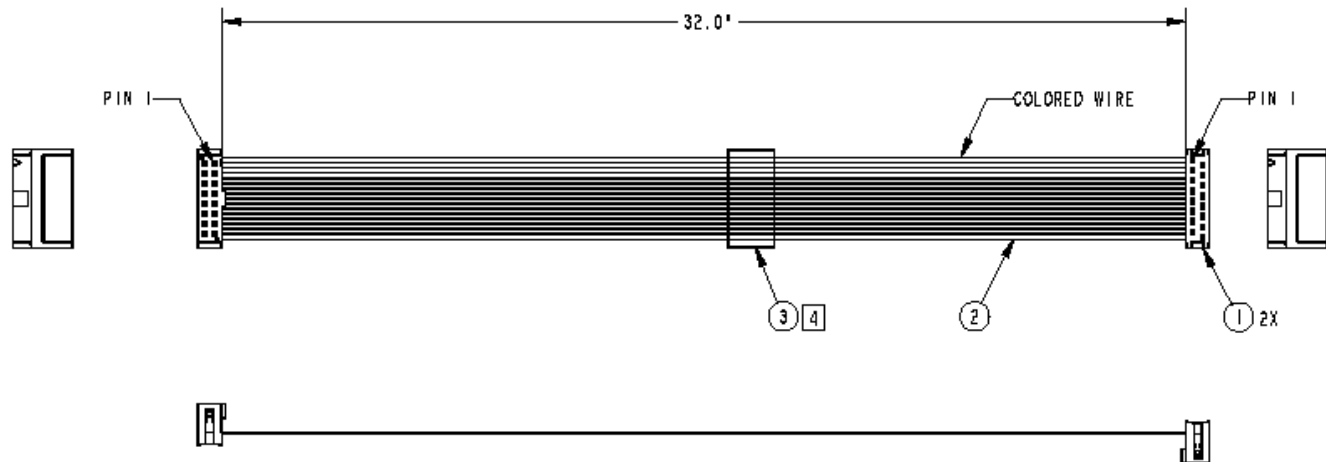


ZONE	REV	ECO#	DESCRIPTION	DATE	APVD
	A		PRODUCTION RELEASE	07-15-94	MTR
	B		UPDATE TO OMNICELL STANDARDS.	11-16-94	MTR
	C	3114	RECREATED IN PROE, ADDED LABEL AND UL REG'S, ASSIGNED P/Ws.	02-10-05	IH



NOTES:(UNLESS OTHERWISE SPECIFIED)

1. WIRING AND TUBING USED IN THE CABLE ASSEMBLY MUST BE UL RECOGNIZED.
2. CONNECTORS AND ALL OTHER COMPONENTS MUST BE UL RECOGNIZED OR MADE OF A UL RECOGNIZED MATERIAL WITH A MINIMUM FLAME RATING OF 94V-2.
3. TRACEABILITY OF THE ABOVE MUST BE MAINTAINED BY THE VENDOR AND BE MADE AVAILABLE UPON REQUEST.
- 4 LABEL WITH PART NUMBER, REVISION, DATECODE, AND VENDOR ID IN APPROXIMATE LOCATION SHOWN.

3	1.0"	LABEL	SUPPLIER
2	32.0"	CABLE, FLAT RIBBON, 16 CON, .050 PITCH, 28 AWG, GRAY 3365/16	3M
1	2	CONN, RECP, DUAL ROW, 16 POS, 0.1 CC, VERT 746288-3	AMP
ITEM	QTY	DESCRIPTION	REFERENCE

BILL OF MATERIALS

UNLESS OTHERWISE SPECIFIED DIMENSIONS ARE IN INCHES. TOLERANCES ARE: DECIMALS .005 ANGLES .5° .001 .001 .002 .002 XXX: 0.010 DO NOT SCALE DRAWING		APPROVALS	DATE	<p style="text-align: center;">HO CHIEN</p> <p style="text-align: center;">CABLE ASSY, PWR CON TO SPECIAL 42-119</p>
THIRD ANGLE PROJECTION		DESIGN	IH 02-10-05	
		CHECKED	SKK 02-10-05	
		APPROVED		
		ECO	3114 02-10-05	
		METRIC		<p>SCALE: B CA-C4037A-0010</p>
		FINISH		<p>SCALE: 1:1 PART FILE: 42-1119 SHEET 1 OF 1</p>