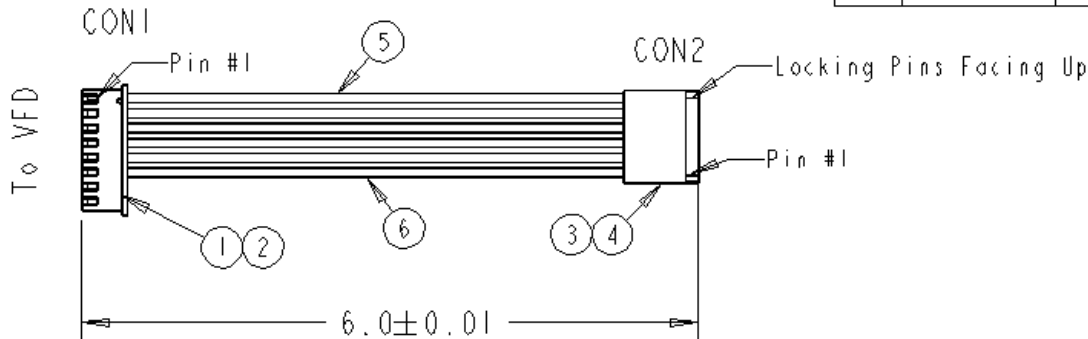


Item	Part	QTY.	Part No. & Remark
1	Housing	1	JST SHP-8 or Equiv.
2	Contact	6	JST SXH-001T-P0.6 or Equiv.
3	Housing	1	Molex 22-01-3067 or Equiv.
4	Terminal	6	Molex 08-50-0114 or Equiv.
5	Red Wire	1	#22AWG Stranded UL, CSA
6	Black Wire	5	#22AWG Stranded UL, CSA

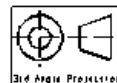


Wiring Table

CON1	CA-B6070-0149	CON2
Pin #	Wire Color	Pin #
1	Red	6
2	Black	5
3	Black	4
4	Black	3
5	Black	2
6	Black	1
7		
8		

P/N	Contact	Wire Color	Terminal
CA-B6070-0150	JST SXH-001T-P0.6	Red 6"	Molex 08-50-0114
CA-B6070-0151	JST SXH-001T-P0.6	Black 6"	Molex 08-50-0114

Rev	Date	Description	Req	Appd
Rel.	6/26/04	Create a new NTC P/N.	MC	



Unless otherwise noted:
All linear tolerances
are ± 0.25 .

3rd Angle Projection

UNIT IN.

JST/Molex Wire Harness

DRN	SX	Date	06/26/04	P/N.	CA-B6070-0149, 50, 51
CHK'D		Date		Project	File name NTC-02-0018
APP'D		Date		DRN No.	SH1 01

HO CHIEN
www.hochien.com