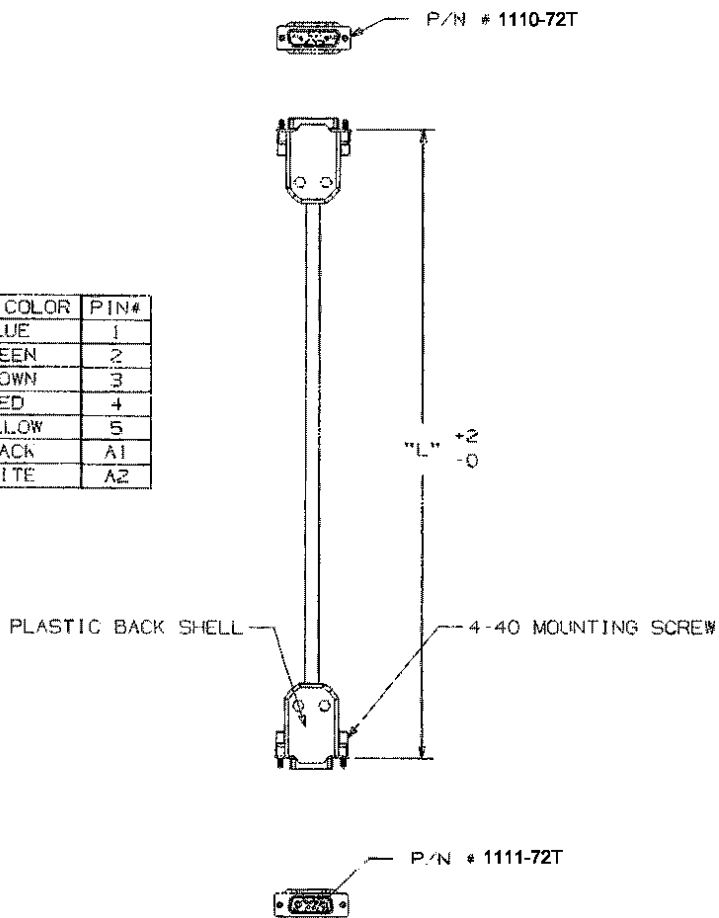


P/N	REV.	CAT #	ITEM #	LENGTH "L"	HO CHIEN PN#
HWS1212801	A	DTXP01	85869	1 FT	CA-B3168-0001
HWS1212802	A	DTXP03	85870	3 FT	CA-B3168-0002
HWS1212803	A	DTXP07	85871	7 FT	CA-B3168-0003
HWS1212804	A	DTXP10	85872	10 FT	CA-B3168-0004

PIN#	WIRE COLOR	PIN#
1	BLUE	1
2	GREEN	2
3	BROWN	3
4	RED	4
5	YELLOW	5
A1	BLACK	A1
A2	WHITE	A2



NOTES:

1. MATERIALS:

ELEMENT #1: TWO SINGLE STRANDED CONDUCTORS, #14 AWG 41/30 TINNED COPPER  
INSULATION: NOMINAL .016" THICKNESS PVC  
COLOR CODE: ONE BLACK WIRE, ONE WHITE WIRE

ELEMENT #2: FIVE SINGLE STRANDED CONDUCTORS, #18 AWG 17/30 TINNED COPPER  
INSULATION: NOMINAL .009" THICKNESS PVC  
COLOR CODE: RED, GREEN, YELLOW, BLUE, BROWN

2. CABLE CONSTRUCTION:

CABLE ASSEMBLY: BOTH ELEMENTS ARE CABLED TOGETHER AND THE CABLE BUNDLE IS WRAPPED WITH AN OVERALL CLEAR MYLAR TAPE, FILLERS MAY BE USED AS REQUIRED FOR ROUNDNESS.  
JACKET: NOMINAL .032" THICKNESS, GRAY 80 DEG. C PVC (PER UL2464, 300V)  
JACKET MARK: PRINTED AS FOLLOWS: UL FILE# RU AWM STYLE 2464, 300V 80 DEG C, O.D.: APPROX. .285"  
RECOMMENDED CABLE MANUFACTURER: MOR WIRE & CABLE, LOWELL MA, U/L FILE #E151404.

3. CONNECTORS:

ONE END TO BE SOLDER TERMINATED TO A D'SUB MALE CONNECTOR  
P/N # 1110-72T . CONNECTOR TO BE SUPPLIED WITH TWO MALE POWER CONTACTS

ONE END TO BE SOLDER TERMINATED TO A D'SUB FEMALE CONNECTOR  
P/N # 1111-72T . CONNECTOR TO BE SUPPLIED WITH TWO FEMALE POWER CONTACTS

BOTH ENDS TO HAVE A PLASTIC BACK SHELL INSTALLED ONTO THE D'SUB CONNECTORS.

4. PACKAGING:

PLACE ONE CABLE ASSEMBLY INTO BAG AND SEAL. PLACE LABEL ON BAG.

Created on ENIGRAPHICS	DIMENSIONING AND TOLERANCING PER ANSI Y14.5M-1982, UNLESS OTHERWISE SPECIFIED, DIMENSIONS ARE IN INCHES (MM), TOLERANCES:		PROJECT REFERENCE: 2002-9		<b>HO CHIEN</b> www.hochien.com
	.XX = ±.01 (.25) .XX = ±.005 (.13) .XXX = ±.0025 (.06) ANGLE TOL ±1°		MATERIAL:  SEE NOTES		
	IN ACCEPTING OUR DRAWINGS, BLUEPRINTS, OR SUPPORTING DOCUMENTATION FOR QUOTATION OR OTHER PURPOSES, YOU AGREE NOT TO DISCLOSE TO OTHERS THE IDEAS, INFORMATION, OR DESIGN SHOWN HEREIN, AND THAT YOU WILL MAKE NO USE OF SAME WITHOUT PERMISSION.		DRAWN BY: D.O'CONNOR 1/5/05		TITLE: DC POWER CABLE ASSEMBLY
			CHECKED BY: S.ABUGHAZALEH 3/1/05		SIZE: <b>C</b> DRAWING NO.: HWS12128
REV. ECN DATE DESCRIPTION CHG BY APPD BY		APPROVED BY:		REV. <b>2</b>	SCALE: N/A SHEET 1 OF 1
2	5556	4/5/05	ADDED CABLE MANUFACTURER TO NOTE 2.	DP0	RS
1	5538	3/1/05	INITIAL RELEASE	DP0	SA

REV.	ECN	DATE	DESCRIPTION	CHG BY	APPD BY
2	5556	4/5/05	ADDED CABLE MANUFACTURER TO NOTE 2.	DP0	RS
1	5538	3/1/05	INITIAL RELEASE	DP0	SA