

SPECIFICATION :

1. Electrical Char.

- Insulation Resistance : 500M-Ohm Min.
- Contact Resistance : 20 milli-ohm Max
- Rating Current : 1.5A Min.
- Dielectric Voltage : 1,000 Vrms 60 Sec. Min.

2. Physical char.

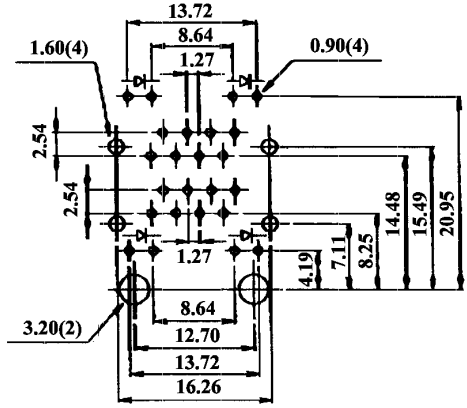
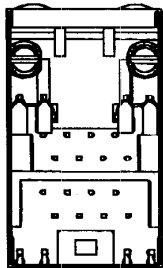
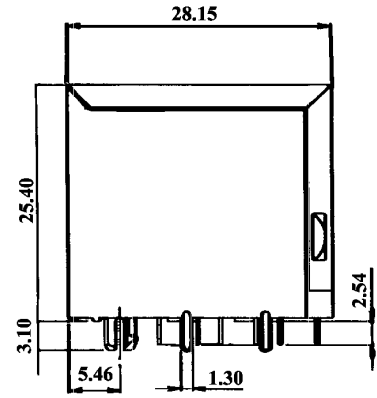
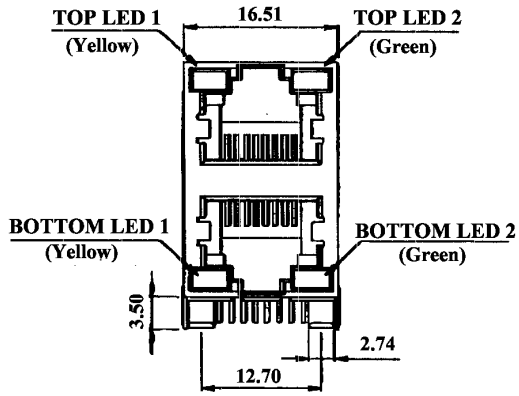
- Housing : PBT 20% Glass Filled (UL 94V-0)
- Color : Black Color
- Spring Wire : 0.35mm Thickness Phosphor Bronze
Gold Plating Over Nickel
- Temperature Range : - 25 /+90 Deg C
- Durability : 500 Mating cycles Min.

3. LED falings.

- Forward DC Current : 2 mA
- Forward Voltage : 1.8 Volts Typical
- Reverse Voltage : 5 Volts Min.
- Power Dissipation : Green=24 mW; Yellow=36 mW

7600-088-21-X-L1

Gold plated	1=15u, 3=50u
	2=30u, 4= 6 u



PC Board Layout

HO CHIEN	
NO. 6, LANE 130, SEC 1, KUANG FU ROAD SAN CHUNG CITY, TAIPEI SHIEN, TAIWAN, 24119	
TITLE	RJ45 2x1 8 POSITIONS DOUBLE DECK GANG SHIELDED JACK UL & cUL FILE NO. E131820
MODULAR JACKS ASSY FOR 7600-088-21-2-L	
SCALE SIZE DWG. NO. 7600 SERIES	

NOT SCALED DRAWING	TOLERANCE UNLESS OTHERWISE NOTICE	INCH	MM	DR.	DATE
 THIRD ANGLE PROJECTION	LINEAR	00 + 0.1 000 + 0.05 0000 + 0.02	00 + 0.25 000 + 0.13 0000 + 0.05	Steven CK'D Johnn APP'D Billy	APR-10 '00 APR-10 '00 APR-11 '00
MM INCH	ANGLE + 030	RADIL	+ 0.45 - 0.15		