

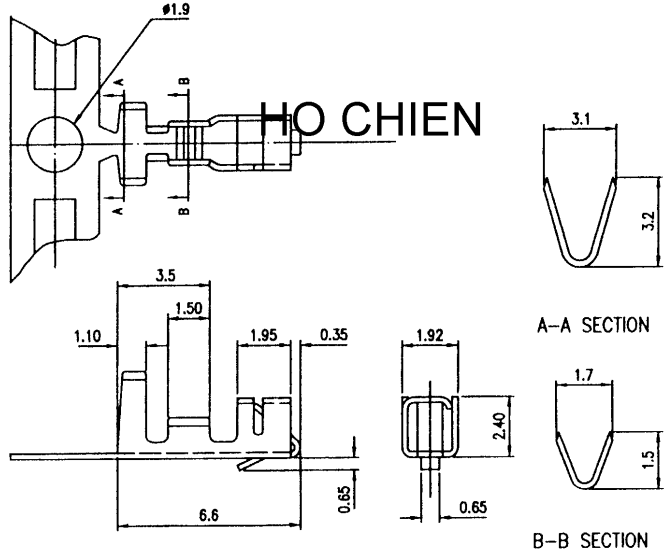
2.5mm .098" Center Wire-to-Board System

HO CHIEN

5011 Series

■ TERMINAL

- Part No: 5011-T
- Material: Brass or Phos. bronze
- Thickness: 0.2mm
- Plating: Tin plated 60u"
- Wire Range: Suitable for AWG#22~28
- Insulation O.D: 1.90mm (max)
- Q'TY: 8,000 pcs/roll
- Accepts housing : 5011H



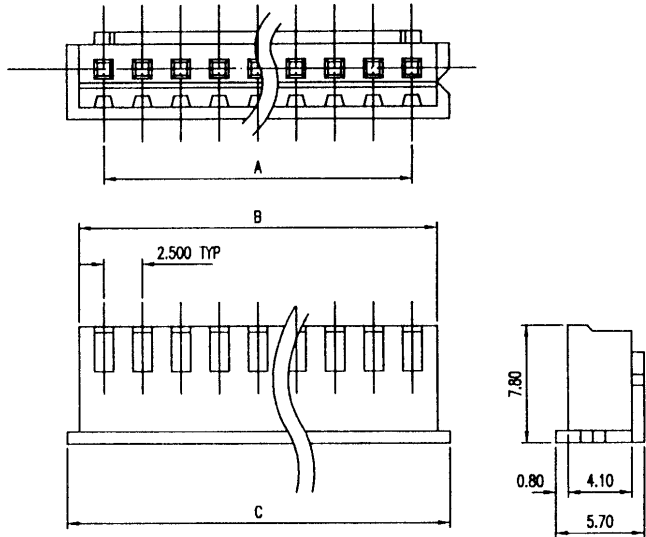
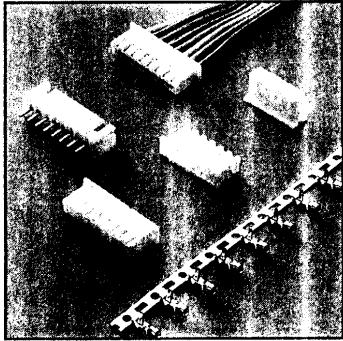
Ordering Information

Part No.	Wire Range	Insulation O.D.	Material	Finish	Q'ty/roll	Note
5011-T-P	AWG #22~#28	1.90mm (max)	Phosphor bronze	Tin-Plated	8,000 pcs	
5011-T-B	AWG #22~#28	1.90mm (max)	Brass	Tin-Plated	8,000 pcs	

5011 Series

■ HOUSING

- Part No: 5011H
- Material: Nylon 66, UL94V-2
- Pitch: 2.5mm (.098")
- Poles: 2~20
- Accepts terminals : 5011-T



Ordering Information and Dimensions

CIRCUITS	PART NO.	DIMENSION		
		A	B	C
2	5011H-02	2.50	5.70	7.30
3	5011H-03	5.00	8.20	9.80
4	5011H-04	7.50	10.70	12.30
5	5011H-05	10.00	13.20	14.80
6	5011H-06	12.50	15.70	17.30
7	5011H-07	15.00	18.20	19.80
8	5011H-08	17.50	20.70	22.30
9	5011H-09	20.00	23.20	24.80
10	5011H-10	22.50	25.70	27.30
11	5011H-11	25.00	28.20	29.80

CIRCUITS	PART NO.	DIMENSION		
		A	B	C
12	5011H-12	27.50	30.70	32.30
13	5011H-13	30.00	33.20	34.80
14	5011H-14	32.50	35.70	37.30
15	5011H-15	35.00	38.20	39.80
16	5011H-16	37.50	40.70	42.30
17	5011H-17	40.00	43.20	44.80
18	5011H-18	42.50	45.70	47.30
19	5011H-19	45.00	48.20	49.80
20	5011H-20	47.50	50.70	52.30