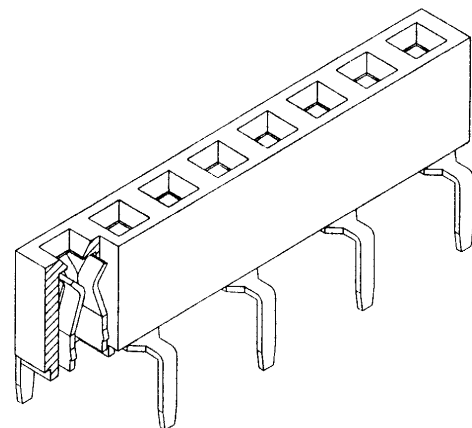


# HO CHIEN

## 2.54mm FEMALE HEADER SINGLE ROW DUAL BEAM FOLDED CONTACTS

### APPLICATION AND FEATURES

1. Dual entry low profile 5mm height.
2. Designed for parallel and vertical board stacking.
3. Dual-beam folded contact and low insertion force.
4. Standoffs facilitate post soldering clean.



### SPECIFICATIONS

Current rating: 3 Amps

Insulator resistance: 5000 megohms min.

Contact resistance: 20 m ohm Max.

Dielectric withstanding: AC 500 V

Operating temperature: -40° — +105°C

Contact material: phosphor bronze

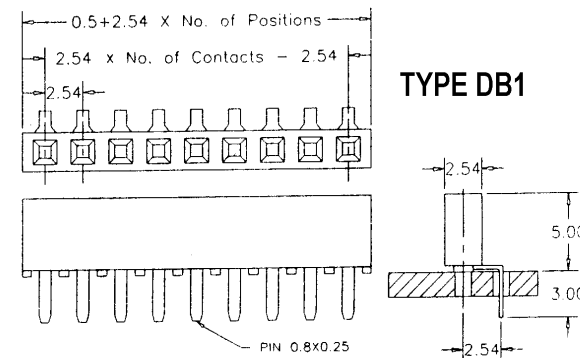
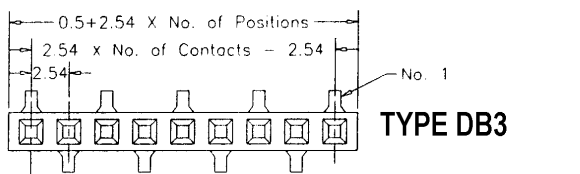
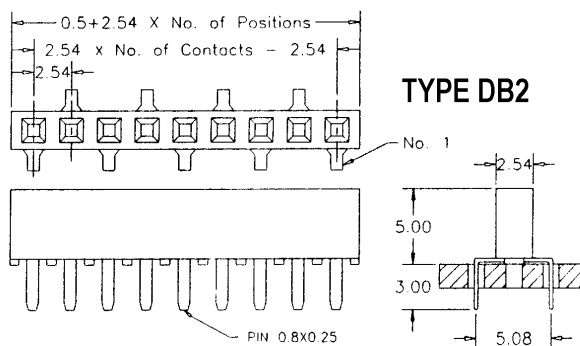
Insulator material: polyester, UL 94V-0

Standard: P.B.T

Finish: tin, gold or duplex plated

Note:

Duplex plating: gold plated on contact area, tin on solder area



2554 - 1 X  $\square$   $\square$  T DB1  
 ① ② ③

- ① No. of contact  
02 to 40
- ② Contact plating  
T: tin plated  
G: gold flash  
D: duplex plating  
flash
- ③ Foot rank type  
DB1, DB2, DB3

Recommended P.C.Board  
Hole Layout

