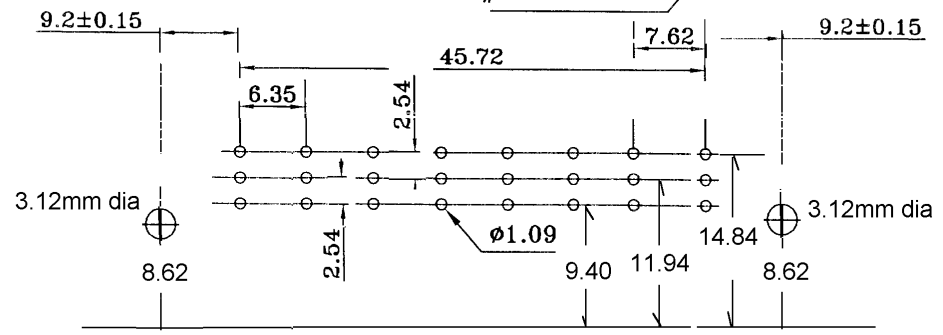
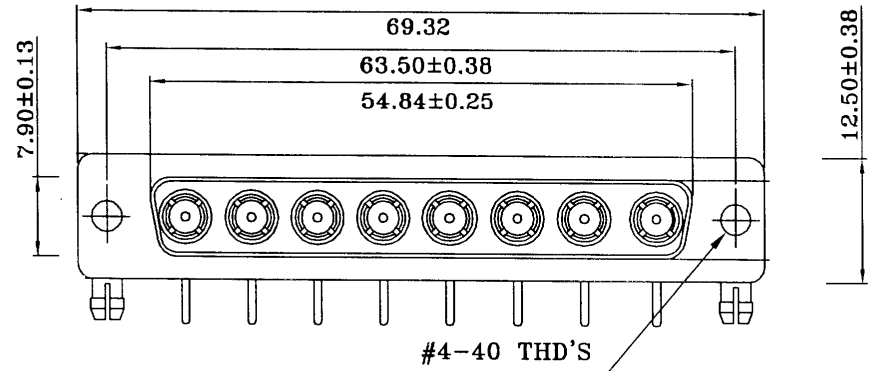


<Mate Side View>



Rear Flange Ref.

PCB LAYOUT

DR:	RON CHEN	CHK:	J.T.CHEN	APPD:	C.Y.LIN
-----	----------	------	----------	-------	---------

MATERIALS AND FINISH

SHELL : STEEL MATERIAL, TIN FINISHED  
 CONNECTOR INSULATOR : PBT THERMOPLASTIC, 30% GLASS FILLED, UL 94V-0 RATED, BLACK COLOR  
 COAXIAL INSULATOR : TEFLON UL 94V-0 WHITE COLOR  
 COAXIAL CONTACT MATERIAL: BRASS, 15u" GOLD PLATED

ELECTRICAL CHARACTERISTICS

DIELECTRIC WITHSTANDING VOLTAGE : 1000 V AC FOR 1 MINUTE  
 INSULATION RESISTANCE : 5000 MEGAOHMS MIN.  
 TEMPERATURE RATING : -55°C ~ +125°C  
 COAXIAL CONTACT IMPEDANCE: 50 OHMS

	HO CHIEN ENTERPRISE CO. LTD	
	TITLE : D-SUB CONNECTOR (Coaxial Contact R/A Type)	
PAGE:	1 OF 1	HO CHIEN P/N. 1351 -88T -S